

# HOOF CARE SPRAYMAT

## HoofCare SprayMat for prevention and treatment of contagious hoof diseases

The HoofCare SprayMat will be installed on the floor of a walkway just outside the exit of the milking parlour or milking robot. If the cow walks over the mat and steps with one foot on or near a colored sphere, a valve will open and the liquid is then forced out through the nozzle.

*No obstacle for the animals*

The liquid is sprayed force fully against the foot and the medication or disinfecting agent will be sprayed into the hard-to-reach areas. The system is connected to the water mains. A dosing pump in the control unit will add the correct amount of medication to the water.

## The Vink HoofCare SprayMat hits all the right spots!

- Medication is consistently applied to the correct areas
- Reduces labor costs
- Medication does not get Contaminated/always new clean liquid
- No obstacle for the animals
- No electricity or electronics
- Provides an effective and economical use of consumables
- You can choose your own product
- Effective & economical with liquid (between 200 - 300 CC per pass)
- Fits in every stable
- Also on a sloping surface

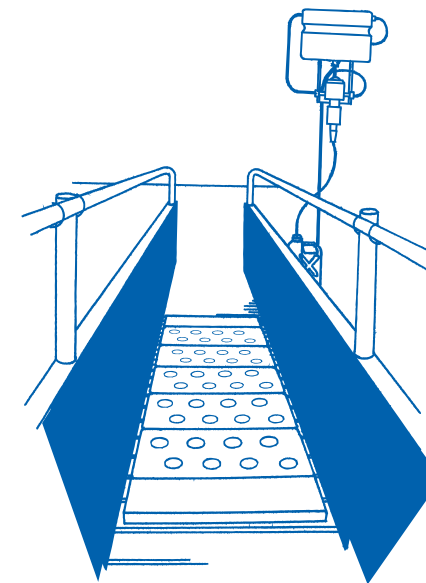
The dimension of one mat is 80x40 cm, Behind a milking robot you will need 4 mats to reach a length of 160 cm. Behind a milking parlour we recommend 5 mats for a total length of 200 cm

The mat, which requires virtually no maintenance, can be left in a permanent position as it is not an obstacle to animals. The HoofCare SprayMat is ideally positioned at the exit of a parlour or milking robot where animals can cross it a number of times per day. Ensures all hoofs are disinfected several times per week with always clean liquid.

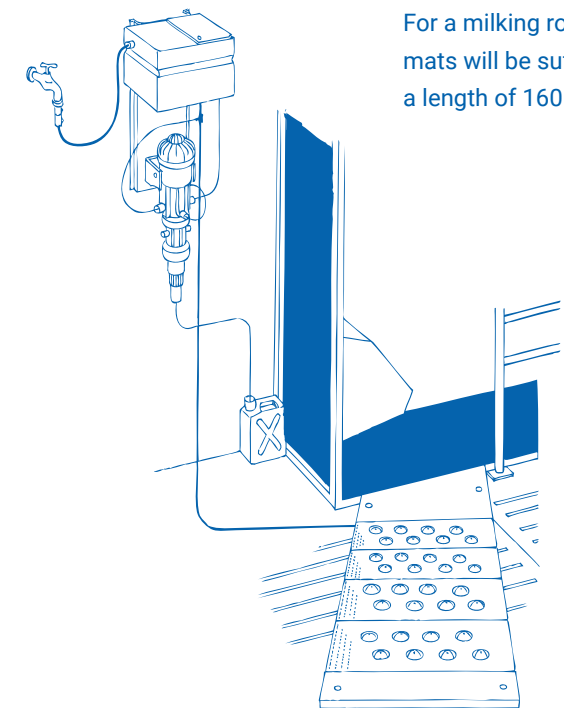


## Location:

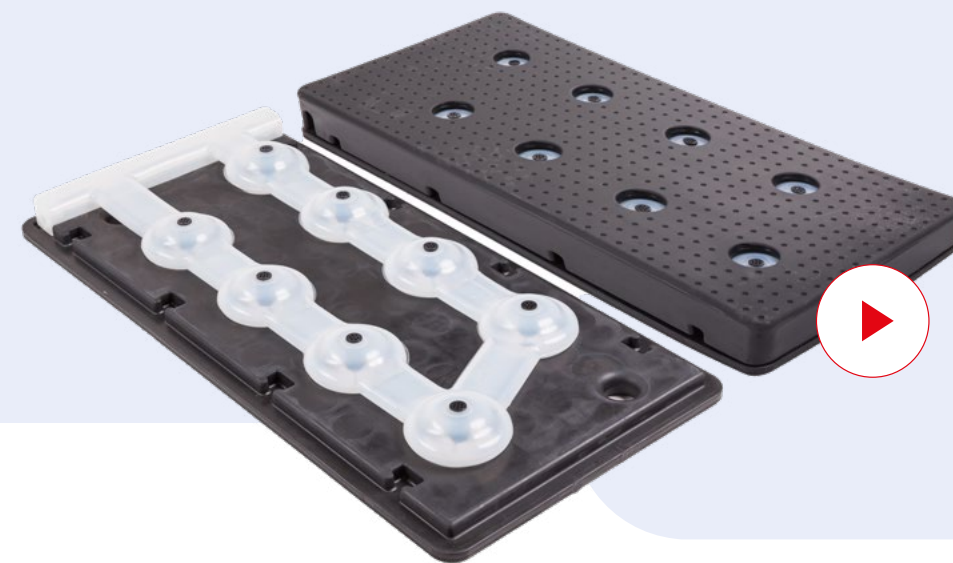
The hoof care spray mat consists of three special designed parts, bottom mat, spray mat and cover mat. The mat can be left in a permanent position as it is not an obstacle to animals, which requires no maintenance. The animals will cross the mat a number of times per day. Which ensures all hoofs are disinfected several times per week.



Just outside te exit of a milking parlour we recommend to place five mats for a total length of 200 cm



For a milking robot four mats will be sufficient for a length of 160 cm.



An ideal solution for contagious hoof diseases for every milking parlour.

Watch our product video on:  
[www.vink-elst.nl](http://www.vink-elst.nl)

**Vink**

Vink Elst B.V.  
Nijverheidstraat 59  
6681 LN Bommel Nederland

+31 26 - 326 30 30  
info@vink-elst.nl  
www.vink-elst.nl